

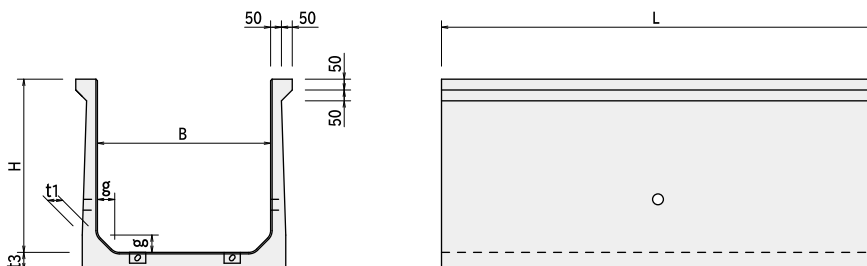


三面水路

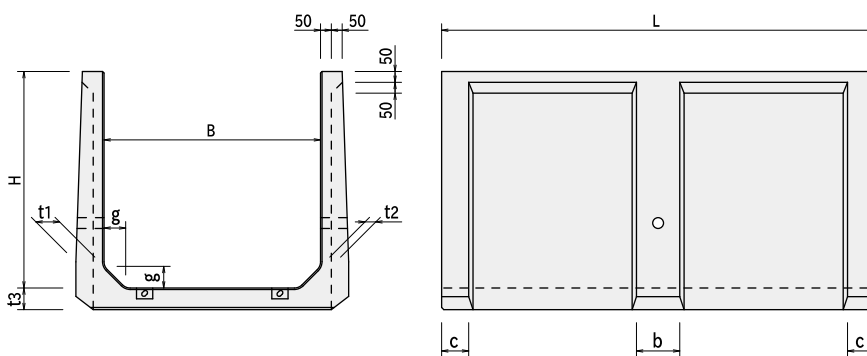
水路用製品 三面水路

製品規格

H=600・H=800



H=1000以上



| 呼び名 B×H | 寸法 (mm) | | | | | | | | | 参考質量 (kg) | | | | | | | | |
|------------|---------|------|-----|----|-----|-----|-----|-----|------|--------------|-----|----|-----|-----|-----|-----|------|------|
| | B | H | t1 | t2 | t3 | b | c | g | L | | | | | | | | | |
| 600 | 600 | 600 | 70 | - | 80 | - | - | 70 | 2000 | 689 | | | | | | | | |
| 800 | 800 | | | | | | | | | 766 | | | | | | | | |
| 900 | 900 | | | | | | | | | 805 | | | | | | | | |
| 1000 | 1000 | | | | | | | | | 843 | | | | | | | | |
| 1200 | 1200 | | | | | | | | | 920 | | | | | | | | |
| 1500 | 1500 | | | | | | | | | 1035 | | | | | | | | |
| 600 | 600 | 800 | 70 | - | 80 | - | - | 80 | 2000 | 795 | | | | | | | | |
| 800 | 800 | | | | | | | | | 870 | | | | | | | | |
| 1000 | 1000 | | | | | | | | | 950 | | | | | | | | |
| 1200 | 1200 | | | | | | | | | 1025 | | | | | | | | |
| 1500 | 1500 | | | | | | | | | 1145 | | | | | | | | |
| 600 | 600 | | | | | | | | | 900 | 75 | - | 90 | - | - | 90 | 2000 | 937 |
| 800 | 800 | 1024 | | | | | | | | | | | | | | | | |
| 1000 | 1000 | 1110 | | | | | | | | | | | | | | | | |
| 1200 | 1200 | 1197 | | | | | | | | | | | | | | | | |
| 1500 | 1500 | 1326 | | | | | | | | | | | | | | | | |
| 600 | 600 | 1000 | 130 | 50 | 100 | 200 | 125 | 100 | 2000 | | | | | | | | | 955 |
| 800 | 800 | | | | | | | | | 1050 | | | | | | | | |
| 1000 | 1000 | | | | | | | | | 1145 | | | | | | | | |
| 1200 | 1200 | | | | | | | | | 1240 | | | | | | | | |
| 1500 | 1500 | | | | | | | | | 1385 | | | | | | | | |
| 800 | 800 | | | | | | | | | 1200 | 160 | 50 | 120 | 200 | 140 | 120 | 2000 | 1375 |
| 1000 | 1000 | 1490 | | | | | | | | | | | | | | | | |
| 1200 | 1200 | 1585 | | | | | | | | | | | | | | | | |
| 1500 | 1500 | 1760 | | | | | | | | | | | | | | | | |
| 1000 | 1000 | 1300 | 180 | 60 | 130 | 240 | 170 | 150 | 2000 | | | | | | | | | 1961 |
| 1200 | 1200 | | | | | | | | | | | | | | | | | 2085 |
| 1300 | 1300 | | | | | | | | | 2147 | | | | | | | | |
| 1500 | 1500 | | | | | | | | | 2271 | | | | | | | | |
| 1000 | 1000 | | | | | | | | | 1500 | 195 | 60 | 150 | 240 | 170 | 150 | 2000 | 2282 |
| 1200 | 1200 | | | | | | | | | | | | | | | | | 2426 |
| 1300 | 1300 | 2498 | | | | | | | | | | | | | | | | |
| 1500 | 1500 | 2642 | | | | | | | | | | | | | | | | |

道路用側溝

暗渠・
函渠・
側溝

道路用製品

水路用製品

擁壁

河川・法面
保護製品

防火水槽
排水用製品

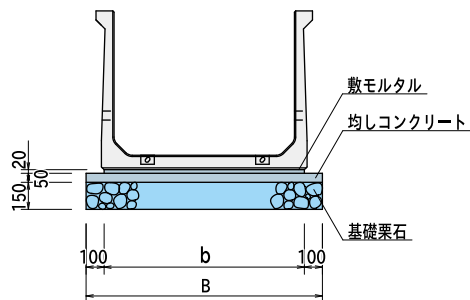
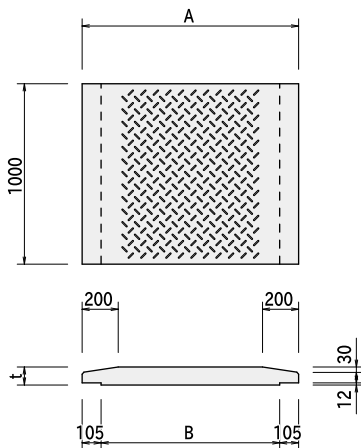
ブロック
平板

その他
取扱製品



製品規格

スラブ(T-4)



| 呼び名 | 寸法(mm) | | | 参考質量(kg) |
|-------|--------|------|-----|----------|
| | A | B | t | |
| 800用 | 1000 | 790 | 100 | 218 |
| 1000用 | 1200 | 990 | 100 | 266 |
| 1200用 | 1400 | 1190 | 120 | 382 |
| 1500用 | 1700 | 1490 | 120 | 469 |

参考歩掛表

(10m当り)

| 呼び名 B×H | b | B | 世話役 (人) | 特殊作業員 (人) | 普通作業員 (人) | トラッククレーン (日) | |
|---------------|------|------|------------|--------------|--------------|-----------------|------|
| 600 × 600 | 730 | 930 | 0.20 | 0.20 | 0.80 | 0.20 | 4.9t |
| | 800 | 930 | | | | | |
| | 900 | 1030 | | | | | |
| | 1000 | 1130 | | | | | |
| | 1200 | 1330 | | | | | |
| 600 × 800 | 740 | 940 | 0.20 | 0.20 | 0.80 | 0.20 | 4.9t |
| | 800 | 940 | | | | | |
| | 1000 | 1140 | | | | | |
| | 1200 | 1340 | | | | | |
| 600 × 900 | 750 | 950 | 0.20 | 0.20 | 0.80 | 0.20 | 4.9t |
| | 800 | 950 | | | | | |
| | 1000 | 1150 | | | | | |
| | 1200 | 1350 | | | | | |
| 600 × 1000 | 700 | 900 | 0.20 | 0.20 | 0.80 | 0.20 | 4.9t |
| | 800 | 900 | | | | | |
| | 1000 | 1100 | | | | | |
| | 1200 | 1300 | | | | | |
| 600 × 1200 | 1000 | 1200 | 0.30 | 0.30 | 0.80 | 0.30 | 4.9t |
| | 1000 | 1200 | | | 1.10 | | |
| | 1200 | 1400 | | | 1.10 | | |
| | 1500 | 1700 | | | 1.10 | | |
| 600 × 1300 | 1280 | 1480 | 0.30 | 0.30 | 1.10 | 0.30 | 16t |
| | 1200 | 1480 | | | | | |
| | 1300 | 1580 | | | | | |
| | 1500 | 1780 | | | | | |
| 600 × 1500 | 1320 | 1520 | 0.40 | 0.40 | 1.10 | 0.40 | 16t |
| | 1200 | 1520 | | | | | |
| | 1300 | 1620 | | | | | |
| | 1500 | 1820 | | | | | |

道路用側溝
 函渠・暗渠型側溝
 道路用製品
 水路用製品
 擁壁
 河川・法面保護製品
 防火水槽
 排水用製品
 ブロック平板
 その他取扱製品